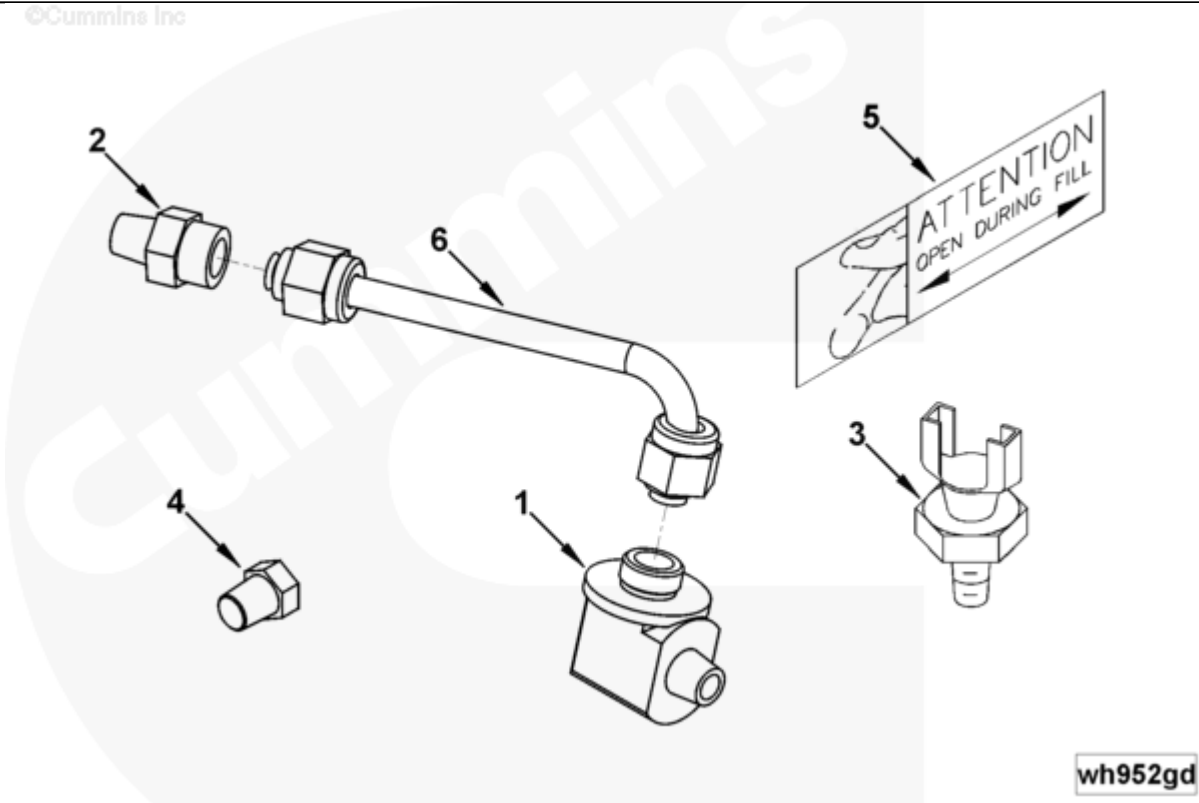




Parts Catalog - Option Detail

Electronic Parts Catalog - Option Detail				
Option	Group	Graphic	Film Card	Date
WH9004-01	08.13.1	wh952gd	Z	20-JUL-92
Engines	6C8.3, C GAS PLUS CM556, G8.3, G8.3 CM558, GTA8.3 CM558, ISC CM2150, ISC CM554, ISC CM850, ISC8.3 CM2250, ISC8.3 G CM2180 C101, ISL CM2150, ISL CM554, ISL CM850, ISL G CM2180, ISL8.9 CM2150 L110, ISL8.9 CM2880 L112, ISL9 CM2150 SN, ISL9 CM2250, ISL9 CM2350 L101, ISL9 CM2350 L111, ISLE4 CM850, L GAS PLUS CM556, L8.9, L8.9 L121, L8.9G CMOH2.0 L125B, L9 CM2350 L116B, L9 CM2350 L119B, L9 CM2350 L120C, L9 CM2350 L123B, L9.3 L105, L9.5 L117, L9N CM2380 L124B, QSC8.3 CM2250, QSC8.3 CM2880 C102, QSC8.3 CM554, QSC8.3 CM850(CM2850), QSL9 CM2250, QSL9 CM2250 L115, QSL9 CM2350 L102, QSL9 CM2350 L107, QSL9 CM2350 L118, QSL9 CM2350 L122, QSL9 CM554, QSL9 CM850(CM2850), QSL9 G CM558, QSL9 M CM2250 L106, QSL9.3 CM2880 L113			



wh952gd

SMALL | MEDIUM | LARGE

Cart	Ref No	Part Number	Part Description	Required	Remarks
View My Cart					
		WH9004-01	Block Vent Plumbing		Cooling system vent...(More)
					arrangement,
					for use with thermostat
					housing mounted corrosion

					resistor, on "C" Series
					engines.
					Includes petcock for manually
					venting
					Cooling system during fill.
					DCEC may use 3415380 tube,
					vent in place of 3924589
					tube, vent. Meanwhile, S1000A
					male adapter elbow and
					S1097 male connector must be
					substituted for 3415326 male
					adapter elbow and 3415332
					male connector.
<input type="checkbox"/>	1	S 1000 A	Male Adapter Elbow	1	
<input type="checkbox"/>	2	S 1097	Male Connector	1	
<input type="checkbox"/>	3	214345	Draincock	1	1/8 NPTF
<input type="checkbox"/>	4	3906619	Pipe Plug	1	1/8 NPT.
<input type="checkbox"/>	5	3910778	Information Decal	1	
<input type="checkbox"/>	6	3924589	Vent Tube	1	